

MIRICO Passage For Safety



MIRICO For Gas Safety

A Company Specialized in Keeping Safety and
Property of People from Gas Accidents

Manufactured by

MIRICO

경기도 안산시 단원구 원시동 778 중앙일보빌딩 9층 (주)미리코
9th Floor, Joog-Ang Ilbo Building, 30 Dongsan-ro,
Danwon-gu, Ansan-si, Gyeonggi-do, Korea
TEL : +82-31-492-1697 FAX : +82-31-492-9695
E-mail : mirico@mirico.net
www.mirico.net

가스누출 경보기 - 독성용

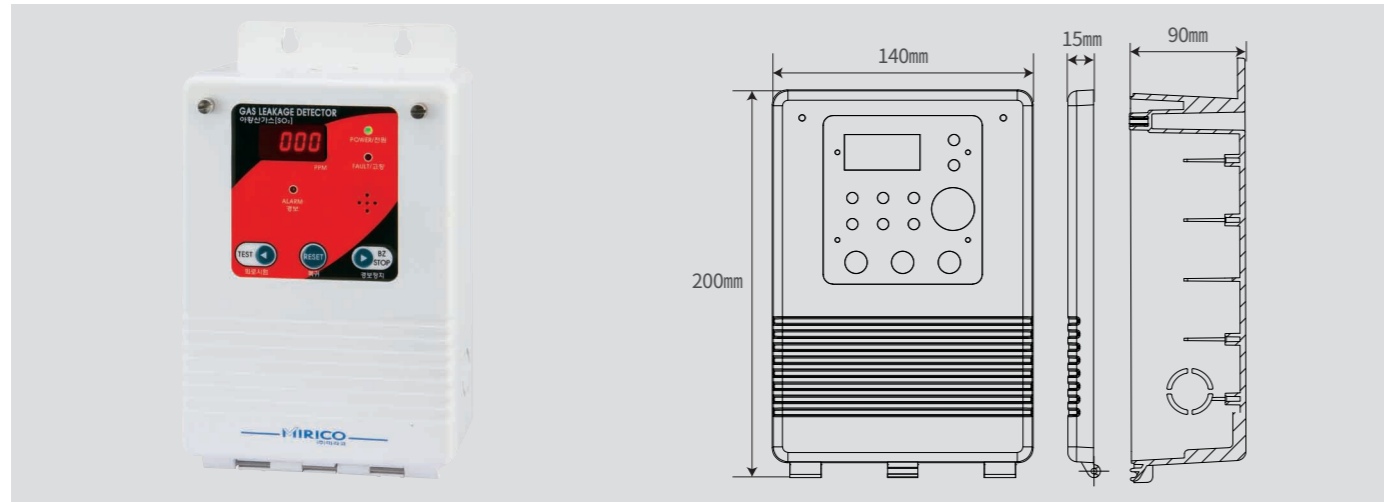
Gas Leakage Alarm - For Toxic Gas

독성용 가스 누설 경보기로서 독성가스의 경보가 가능하다.
 확산식 기술을 도입하였고 방폭 인증 품이며 단회로와 다회로의 제품으로 구분되어 있습니다.
 주로 공업시설 및 산업단지에 납품되고 있습니다.

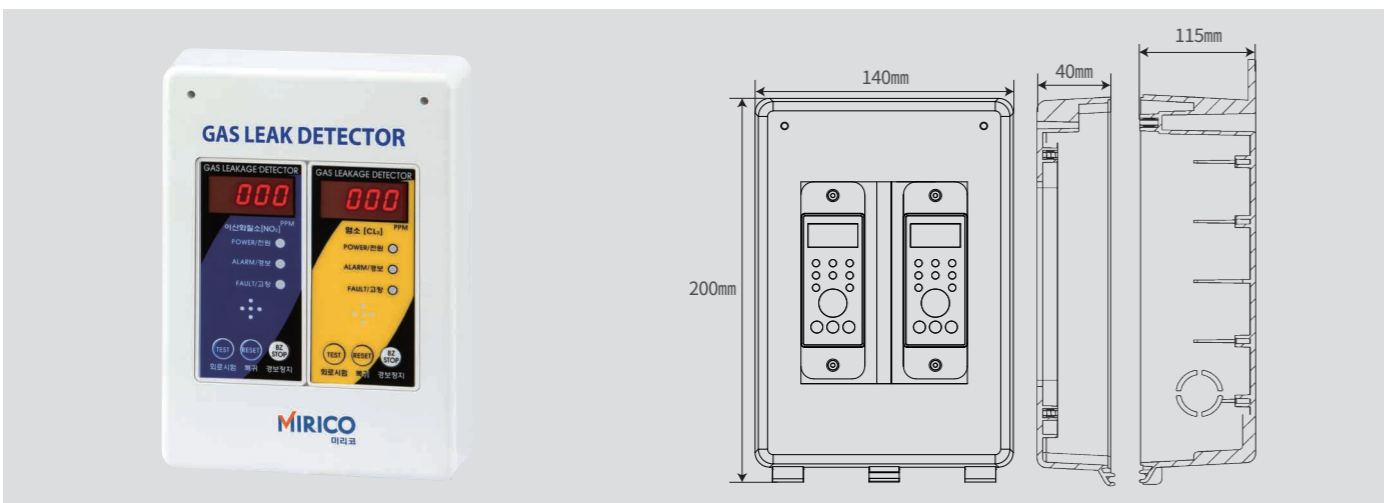


MR-331

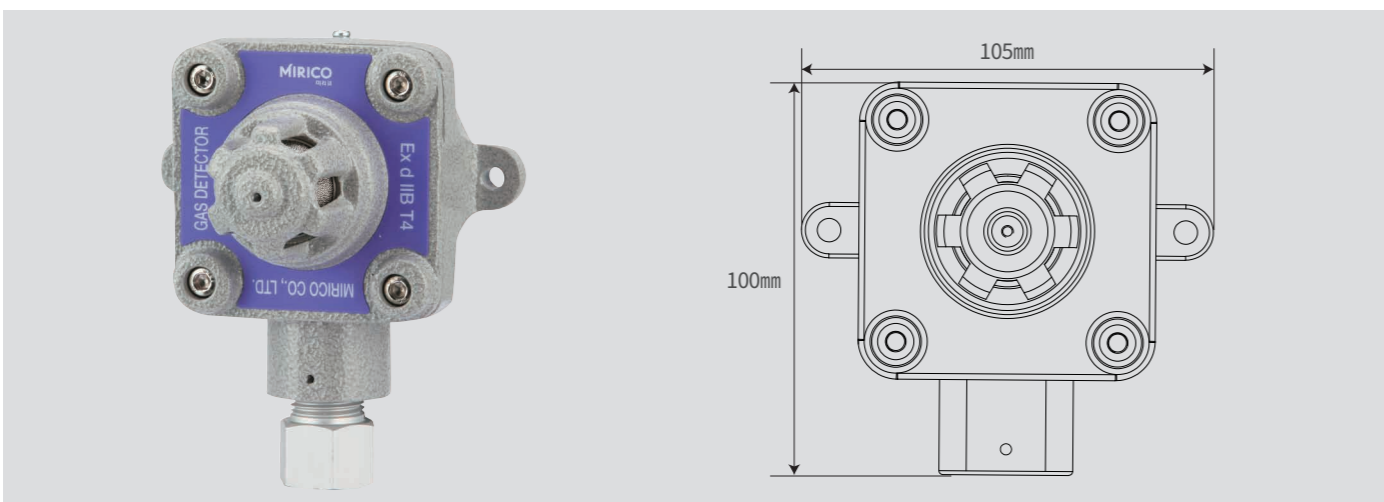
CE FCC ISO 9001 ISO 14001



MR-332



MR-30(Detector)



Specification	MR-331(Single Circuit)	MR-332 (Multi Circuit)
Receiver	MR-331	MR-332
Type of Gas to Detect	CO,NO ₂ ,SO ₂ ,H ₂ S,CL ₂ ,O ₂ ,H ₂ (1),H ₂ (2)	
Display Method	Flexible Numeric Display (FND)	
Power	AC110~ 220V / 50/60Hz DC24V, 500mA	
Detection Range	0~100%LEL	
Alarm Concentration	20%LEL	
Alarm Output	1.Voltage output (DC12V),2.contact output(NO,NC,COM) 3.output(4~20mA), Contact output (NO,NC,COM)	
Operating Indicator	Power (Green), Alarm (Yellow), Malfunction (Red)	
Service Temperature / Humidity	-20°C ~ +40°C / 0% ~ 85%RH	
Material/Dimension / Weight	ABS / 140(W)×200(L)×90(H)mm / 0.68kg	ABS / 140(W)×200(L)×115(H)mm / 1.05kg
Performance Certification	CE, FCC, ISO 9001, ISO 14001	
Characteristics	Single Circuit Structure	Multiple Circuit Structure

Specification	MR-30(Detector)
Type of Gas to Detect	CO,NO ₂ ,SO ₂ ,H ₂ S,CL ₂ ,O ₂ ,H ₂ (1),H ₂ (2)
Detection Principle	Catalytic combustion method / Diffusion type
Measurable range	0~100%LEL / ±3%
Cable	3wires, CVV or VCT (0.75Sq ~ 1.25Sq)
Service Temperature / Humidity	-20°C ~ +40°C 0% ~ 85%RH
Material/Dimension / Weight	Aluminum / 105(W)×100(L)×95(H)mm
Explosion-proof Structure	Ex d IIB T4

- Carbon Monoxide
- Nitrogen dioxide
- Sulfur dioxide
- Hydrogen sulfide
- Chlorine
- Oxygen
- H₂

